

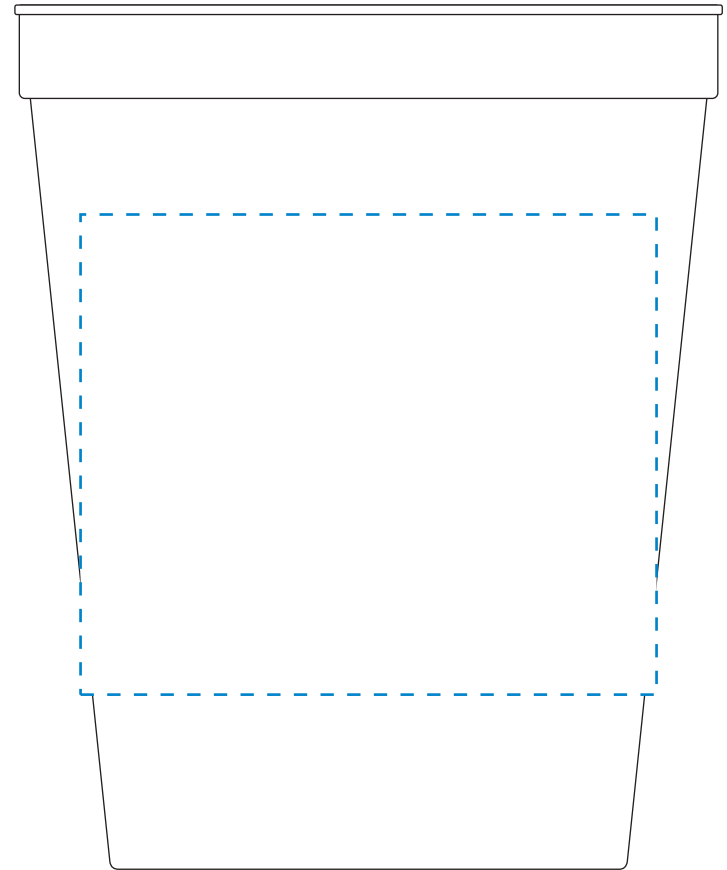
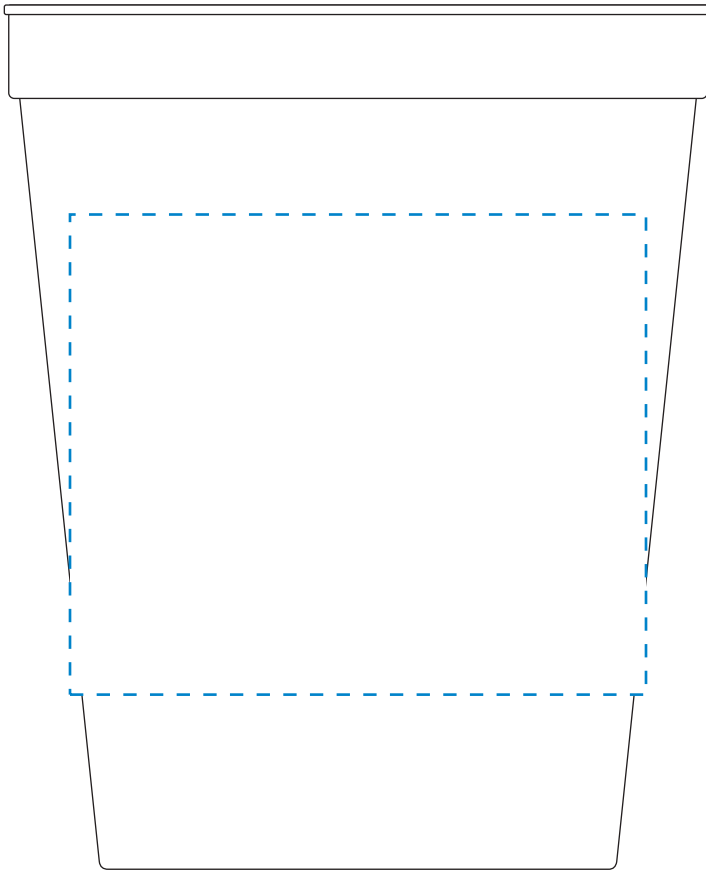
**Product Information**

**Product Name:** 16 oz. Stadium Cup

**Item #** 4516

**Imprint Area:** Side One or Side Two: 2 ½"H x 3"W    **Wrap:** 2 ½ "H x 9"W

**Side 1    Front and Back Imprint    Side 2**



**Wrap Around Imprint**

