

# Ez Stock Can Cooler

ITEM: 1000BEZ4CP

- Inner Dashed Blue Line is the Safe Imprint Area. Important info like lettering and logos should be in this area, as it's the area safe from being cut off.
- Red area is the material area. This is the size of the material and represents the area to be printed.
- Green area is the bleed area. Background artwork should extend to the edges to create a full edge to edge print.
- Sewn Seam Line

SUGGESTED LOGO  
3.5 X 3.5

SUGGESTED LOGO  
3.5 X 3.5



**Please note:**  
This virtual proof is not a printed sample of your artwork on our product.  
The size and placement of the artwork may vary from this proof when printed.

# Ez Stock Can Cooler

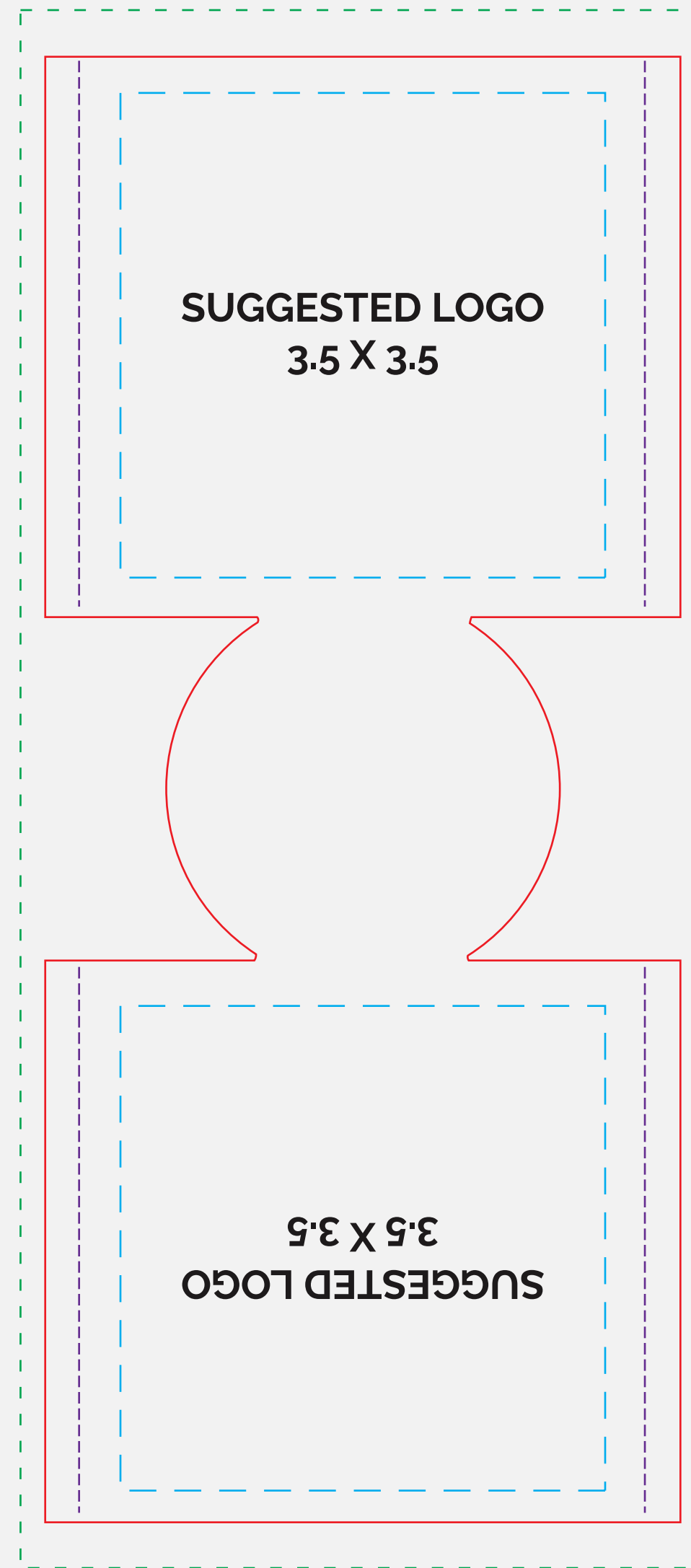
ITEM: 1000BEZ4CP

--- Inner Dashed Blue Line is the Safe Imprint Area. Important info like lettering and logos should be in this area, as it's the area safe from being cut off.

--- Red area is the material area. This is the size of the material and represents the area to be printed.

--- Green area is the bleed area. Background artwork should extend to the edges to create a full edge to edge print.

--- Sewn Seam Line



**Please note:**

This virtual proof is not a printed sample of your artwork on our product.  
The size and placement of the artwork may vary from this proof when printed.

# Ez Stock Can Cooler

ITEM: 1000BEZ4CP

- Inner Dashed Blue Line is the Safe Imprint Area. Important info like lettering and logos should be in this area, as it's the area safe from being cut off.
- Red area is the material area. This is the size of the material and represents the area to be printed.
- Green area is the bleed area. Background artwork should extend to the edges to create a full edge to edge print.
- Sewn Seam Line

SUGGESTED LOGO  
3.5 X 3.5

SUGGESTED LOGO  
3.5 X 3.5



**Please note:**  
This virtual proof is not a printed sample of your artwork on our product.  
The size and placement of the artwork may vary from this proof when printed.

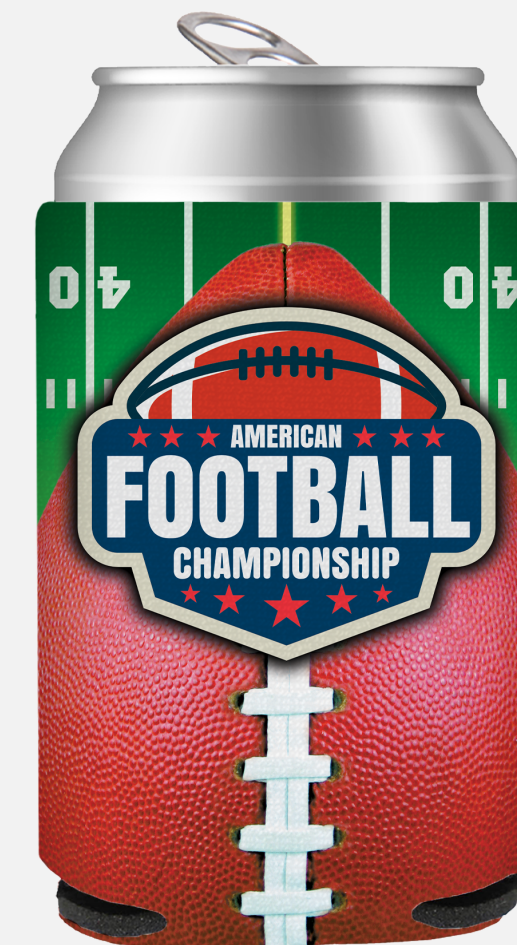
# Ez Stock Can Cooler

ITEM: 1000BEZ4CP

- Inner Dashed Blue Line is the Safe Imprint Area. Important info like lettering and logos should be in this area, as it's the area safe from being cut off.
- Red area is the material area. This is the size of the material and represents the area to be printed.
- Green area is the bleed area. Background artwork should extend to the edges to create a full edge to edge print.
- Sewn Seam Line

SUGGESTED LOGO  
3.5 X 3.5

SUGGESTED LOGO  
3.5 X 3.5



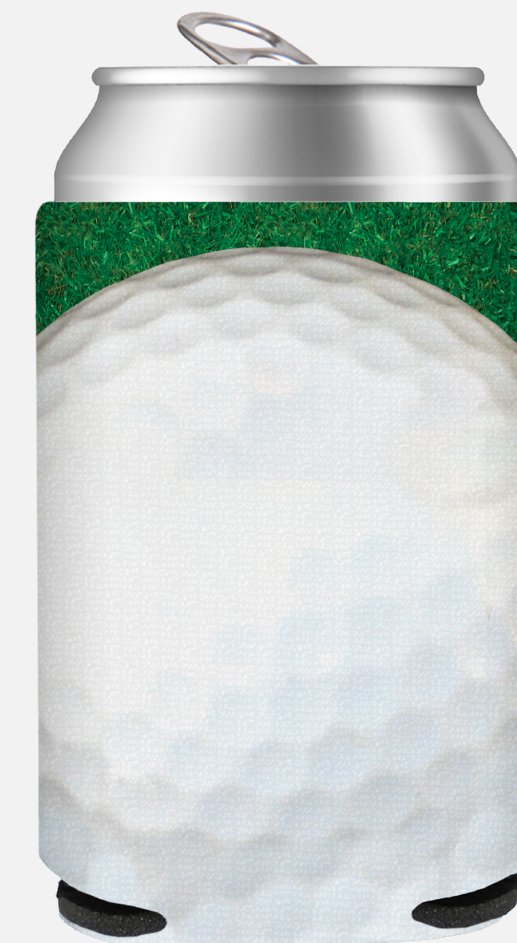
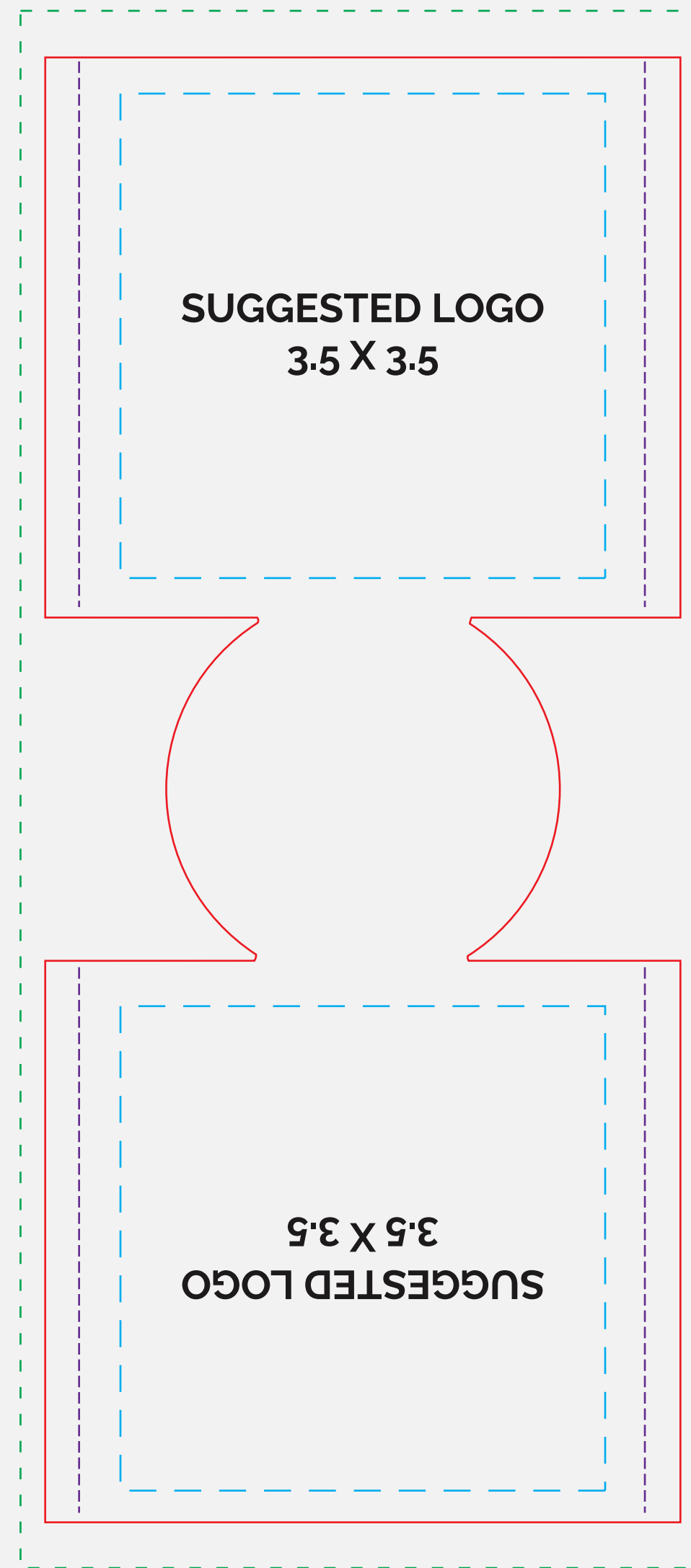
**Please note:**  
This virtual proof is not a printed sample of your artwork on our product.  
The size and placement of the artwork may vary from this proof when printed.

# Ez Stock Can Cooler

ITEM: 1000BEZ4CP

- Inner Dashed Blue Line is the Safe Imprint Area. Important info like lettering and logos should be in this area, as it's the area safe from being cut off.
- Red area is the material area. This is the size of the material and represents the area to be printed.
- Green area is the bleed area. Background artwork should extend to the edges to create a full edge to edge print.
- Sewn Seam Line

**Please note:**  
This virtual proof is not a printed sample of your artwork on our product.  
The size and placement of the artwork may vary from this proof when printed.

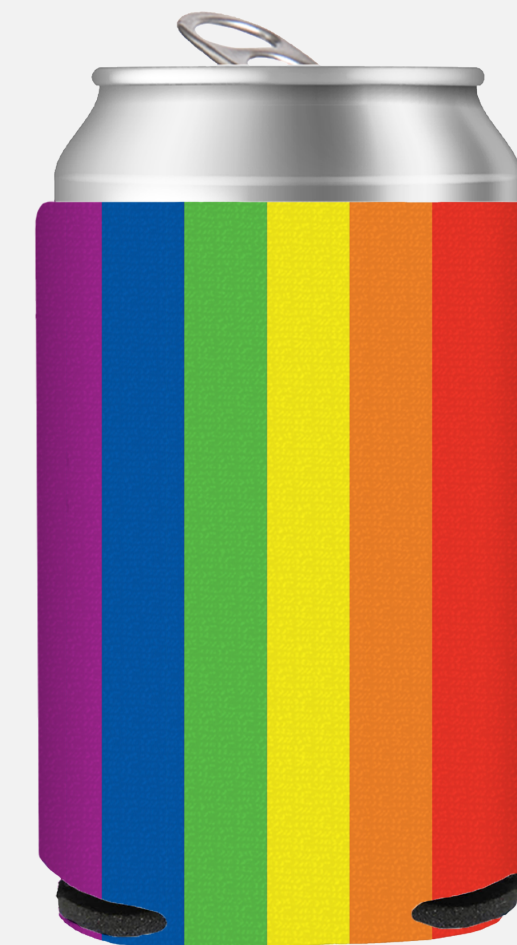
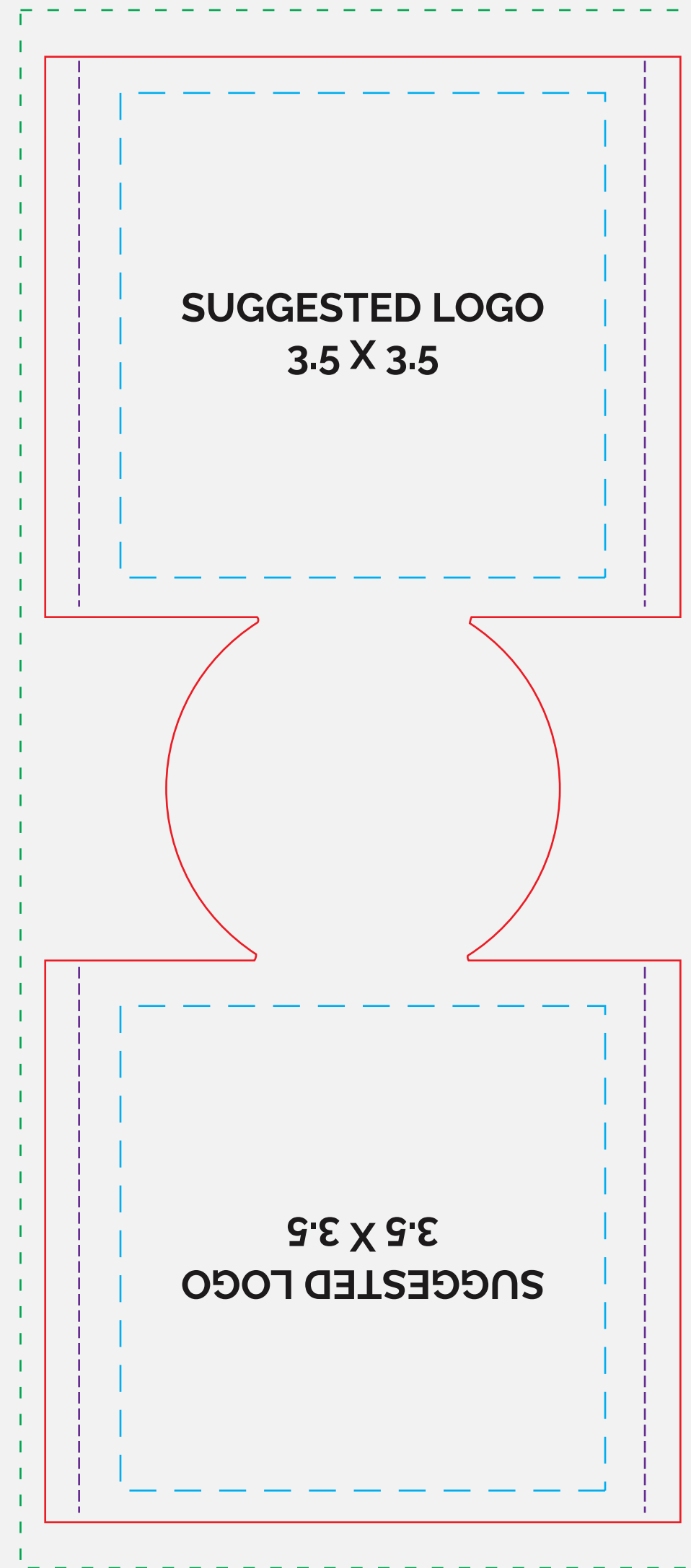


# Ez Stock Can Cooler

ITEM: 1000BEZ4CP

- Inner Dashed Blue Line is the Safe Imprint Area. Important info like lettering and logos should be in this area, as it's the area safe from being cut off.
- Red area is the material area. This is the size of the material and represents the area to be printed.
- Green area is the bleed area. Background artwork should extend to the edges to create a full edge to edge print.
- Sewn Seam Line

**Please note:**  
This virtual proof is not a printed sample of your artwork on our product.  
The size and placement of the artwork may vary from this proof when printed.



# Ez Stock Can Cooler

ITEM: 1000BEZ4CP

- Inner Dashed Blue Line is the Safe Imprint Area. Important info like lettering and logos should be in this area, as it's the area safe from being cut off.
- Red area is the material area. This is the size of the material and represents the area to be printed.
- Green area is the bleed area. Background artwork should extend to the edges to create a full edge to edge print.
- Sewn Seam Line

SUGGESTED LOGO  
3.5 X 3.5

SUGGESTED LOGO  
3.5 X 3.5



**Please note:**

This virtual proof is not a printed sample of your artwork on our product.  
The size and placement of the artwork may vary from this proof when printed.

# Ez Stock Can Cooler

ITEM: 1000BEZ4CP

- Inner Dashed Blue Line is the Safe Imprint Area. Important info like lettering and logos should be in this area, as it's the area safe from being cut off.
- Red area is the material area. This is the size of the material and represents the area to be printed.
- Green area is the bleed area. Background artwork should extend to the edges to create a full edge to edge print.
- Sewn Seam Line

**Please note:**  
This virtual proof is not a printed sample of your artwork on our product.  
The size and placement of the artwork may vary from this proof when printed.

