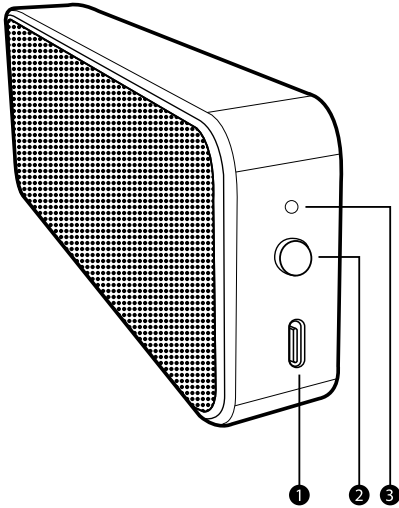


Front

Altitune Wireless Speaker User Manual

Specs

Playtime:..... Approx. 9 hours (@ 50-60% volume)
Input Power:..... DC 5V/1A
Output Power:..... 5W x 2
Battery:..... 3.7 V 1000 mAh
Charing Time:..... Approx. 2-3 hours
Range:..... up to 30 ft.



- ① USB-C Charging Port
- ② Power Button
- ③ LED Indicator Light

Functions

① Power Button

Power ON/OFF	Press once
Pairing:	Hold 2 seconds
TWS ON:	Press 3 times
TWS OFF:	Press 5 times
Play/Pause	Press 2 times
Reset	Hold 8 seconds

② LED Indicator Light

Pairing:	White flashing light
Paired:	Solid white light
TWS ON:	Blue flashing light
Charging:	Solid orange light
Fully Charged:	Solid green light

Wireless Connection

Turn on the speaker
Open wireless pairing menu on your wireless device.
Select "Altitune Speaker" and pair

Note: If the speaker is not paired to any device for 15 minutes, it will shut off.
When the battery is low, a voice prompt will indicate this and the speaker will power off automatically.

Back

Safety

- Keep product away from extreme temperatures
- Avoid liquid immersion of this product
- Do not attempt to disassemble, repair, or modify the device
- Do not use concentrated chemical products or detergents to clean this product
- Use only 5V/1A power supply. Connecting the power supply to a voltage that is too high may cause serious damage
- The speaker may become warm while charging, this is normal
- Do not expose to fire or high temperature

This device complies with part 15 of the FCC Rules. Operation is subject to the following two conditions: (1) This device may not cause harmful interference, and (2) this device must accept any interference received, including interference that may cause undesired operation.

FCC Caution: Any changes or modifications not expressly approved by the party responsible for compliance could void the user's authority to operate the equipment.

NOTE: This equipment has been tested and found to comply with the limits for a Class B digital device, pursuant to part 15 of the FCC Rules. These limits are designed to provide reasonable protection against harmful interference in a residential installation. This equipment generates, uses and can radiate radio frequency energy and, if not installed and used in accordance with the instructions, may cause harmful interference to radio communications. However, there is no guarantee that interference will not occur in a particular installation. If this equipment does cause harmful interference to radio or television reception, which can be determined by turning the equipment off and on, the user is encouraged to try to correct the interference by one or more of the following measures:

- Reorient or relocate the receiving antenna.
- Increase the separation between the equipment and receiver.
- Connect the equipment into an outlet on a circuit different from that to which the receiver is connected.
- Consult the dealer or an experienced radio/TV technician for help.

Responsible Party: Fourty Four Group LLC, d/b/a Origaudio
Company Name: HPG Brands
Address: 1770 S 5350 W Salt Lake City, UT 84104 USA
Tel: (801) 727-1400
<https://hpgbrands.com/origaudio/>

Origaudio