

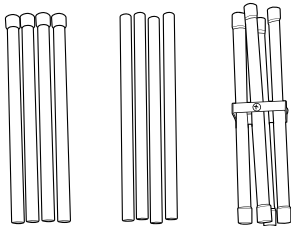
# IGNIGHT

PORTABLE FIRE PIT

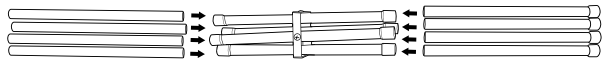
## Assembly Guide

**Before starting a fire outdoors, review Leave No Trace principles and safe extinguishing practices. Always check the land manager's current regulations for information on where to build a fire, appropriate wood to use and potential burn bans.**

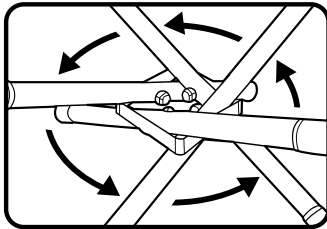
- 1** Remove base components:  
-Leg extenders (top and bottom)  
-Center leg connector base



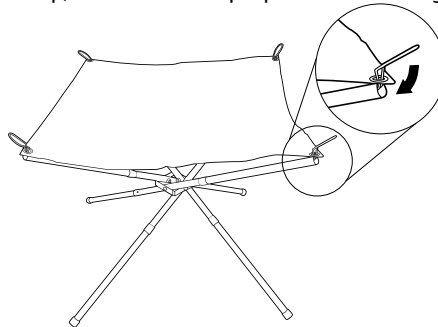
- 2** Attach the extender pieces to both ends of the center leg connectors. The extender pieces with the rubber cap will be the bottom of the fire pit. The extender pieces with the open ends will be the top of the fire pit.



- 3** Once leg pieces are attached, unfold.



- 4** Insert metal buckle through each of the corner eyelets of the mesh top, then into the top/open end of the legs.



**Please Note:**

**Load-bearing weight should not exceed 15 lbs.**

**Cooling time is approx. 30min but may vary with the type and length of the fuel or fire.**

**Use caution when packing after use and do not pack if mesh is not cool to the touch.**

**Gloves are recommended for use during set-up and take-down of this fire pit.**

**Be aware, fire and high heat can damage grass directly below where the fire pit is set up.**

**This product is for outdoor use only.**

*Origaudio*

WWW.HPGBRANDS.COM  
© 2024 Forty Four Group, LLC. d/b/a Origaudio  
Made in China