

HandStands

SCREEN SABER

Instruction Manual

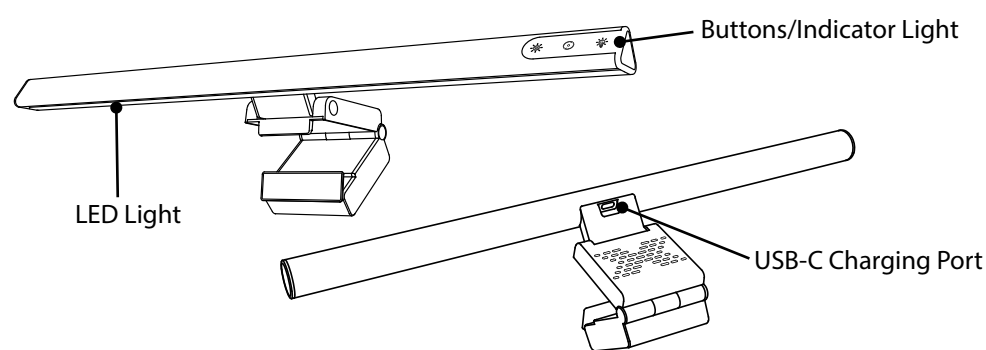
Specs:

- Input: 5V/1A
- Output: 5W
- Input Cable: USB-C
- Light Source: LED
- Color Temperature: 3000K - 7150K

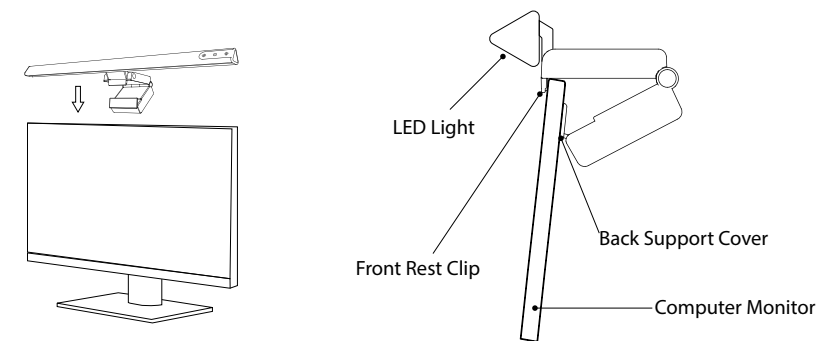
Button Functions:

- ☑ Power on/off
- ⦿ Color Temperature
- ☼ Light Brightness

Product Overview:



Securing the Screen Saber to your monitor:



Instructions:

Powering On:

- To turn on the Screen Saber monitor light bar, connect the included USB-C power cable to the charging port on the back of the light bar. Connect the other end to a suitable power source.
- Press the power button for about 1 second to turn on the light.

Adjusting Light Temperature:

- After powering on the light, press the color temperature button to cycle through the five color temperatures.

Adjusting light brightness:

- After powering on the light, press the light brightness button to adjust the brightness.
- Press the light brightness button for at least 3 seconds to enter the sedentary reminder mode. The associated indicator light will then turn green. Once sedentary reminder mode is activated the Screen Saber monitor light bar will blink every hour to remind the user to take a short break.
- To turn off sedentary reminder mode, press the light brightness button for 3 seconds.

Safety:

- Do not drop, apply excessive force, or puncture the light bar.
- Do not attempt to repair, disassemble, or modify any component of this product in any way.
- Keep the light bar away from any extreme temperature or humidity.
- Power this product only with the power cable provided.
- Keep light and power cable away from small children.

Responsible Party: Handstands Promo LLC
Company Name: HPG Brands
Address: 1770 S 5350 W Salt Lake City, UT
84104 USA
Tel: (801) 727-1400
<https://hpbrands.com/handstands/>

This device complies with part 15 of the FCC Rules. Operation is subject to the following two conditions: (1) This device may not cause harmful interference, and (2) this device must accept any interference received, including interference that may cause undesired operation.

FCC Caution: Any changes or modifications not expressly approved by the party responsible for compliance could void the user's authority to operate the equipment.

NOTE: This equipment has been tested and found to comply with the limits for a Class B digital device, pursuant to part 15 of the FCC Rules. These limits are designed to provide reasonable protection against harmful interference in a residential installation. This equipment generates, uses and can radiate radio frequency energy and, if not installed and used in accordance with the instructions, may cause harmful interference to radio communications. However, there is no guarantee that interference will not occur in a particular installation. If this equipment does cause harmful interference to radio or television reception, which can be determined by turning the equipment off and on, the user is encouraged to try to correct the interference by one or more of the following measures:

- Reorient or relocate the receiving antenna.
- Increase the separation between the equipment and receiver.
- Connect the equipment into an outlet on a circuit different from that to which the receiver is connected.
- Consult the dealer or an experienced radio/TV technician for help.