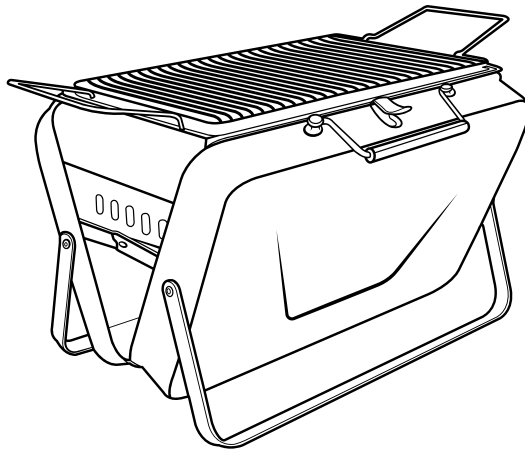


Instruction Manual



SAFETY INSTRUCTIONS

**WARNING: IMPORTANT SAFETY INSTRUCTIONS
READ CAREFULLY AND KEEP FOR FUTURE REFERENCE**

WARNING: CARBON MONOXIDE HAZARD

Burning charcoal indoors can kill. NEVER burn charcoal in enclosed spaces e.g. homes, vehicles, tents, etc.

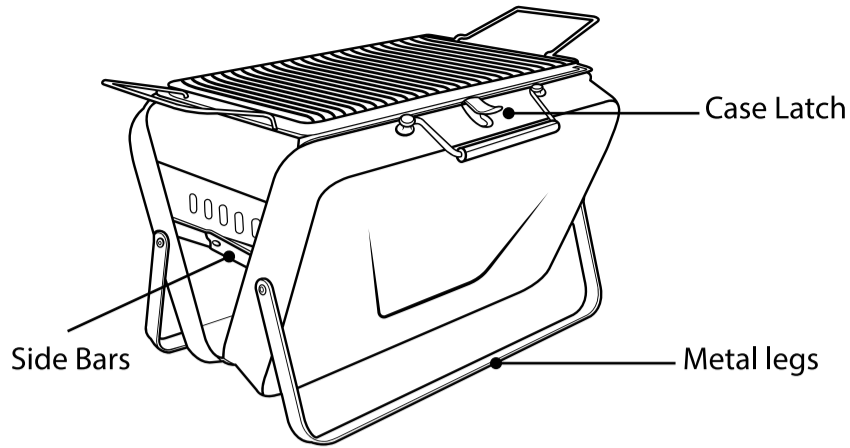
PLEASE KEEP INSTRUCTIONS FOR FUTURE REFERENCE



WARNING: FOR OUTDOOR USE ONLY!

- The charcoal grill must be placed on a level base during use.
 - The charcoal grill should be heated up for at least 30 minutes prior to the first cooking use on the grill.
 - Ensure that the coals placed in the charcoal tray do not exceed the top edge of the charcoal tray.
 - The charcoal grill must never be left unattended during operation.
 - Do not use this charcoal grill in a confined and/or habitable space. e.g. houses, tents, caravans, motor homes, boats, etc. Danger of carbon monoxide poisoning fatality.
 - **WARNING: This charcoal grill will become very hot, do not move it during operation.**
 - **WARNING: Do not use gasoline for lighting or re-lighting!**
 - **WARNING: Keep children and pets away. Children must not operate or be near this charcoal grill when hot or in use.**
 - **WARNING: Failure to follow instructions could result in serious injury, property loss, and death.**
-
- DO NOT wear loose clothing, ensure that long hair is tied back when around the charcoal grill when it is hot or in use.
 - Make sure the charcoal grill is always placed on a firm, level, and fire retardant surface, and also placed away from combustibles.
 - The charcoal grill should only be used in an open area with good ventilation.
 - DO NOT use the charcoal grill in high winds.
 - DO NOT overload or use this charcoal grill to burn leaves, household waste, or paper.
 - Keep a fire extinguisher within a safe and accessible distance and make sure those operating the charcoal grill are qualified to use it.
 - Keep away from flammable materials and vehicles while in use.
 - Do not store the charcoal grill until the fire is completely out and surfaces are cold. Do not store with ashes or combustible materials inside.
 - While every effort has been made by the manufacturer to remove any sharp edges, always handle all components with care and proper protective equipment to avoid any accidental injury.

Grill Overview:

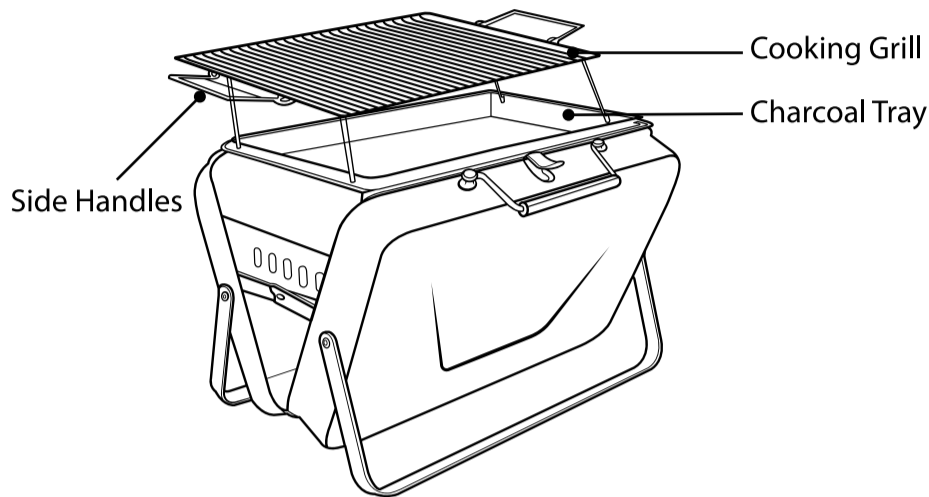


Unlock case latch.

Open Grill and fold out metal legs to ensure the product is level.

Ensure side bars are in a locked position.

NOTE: To reduce risk of serious injury always confirm that product is level and side bars are locked. Do not use product until confirming the above.



Raise cooking grill to fill the tray with charcoal.

Once the charcoal is at optimal grilling temperature, use the side handles to lower the cooking grill making sure not to touch the hot charcoals.

NOTE: When using the barbecue for the first time, make sure to heat it up for an additional 10-15 min after reaching optimal grilling temperature before you start grilling.

After Grilling:

- Allow the grill to cool down completely at the end of the grilling process.
- Once completely cooled down, raise the cooking grill and properly dispose of the charcoal.
- Once the charcoal is disposed, lower the cooking grill, release the side bars, close the grill and metal legs, and secure the latch on the outside of the grill. The grill can now be easily carried and stored.

WARNING: This grill and accessible parts will be hot - avoid touching the BBQ while it is hot.

WARNING: Do not extinguish with water as this may cause damage to the barbecue.

Care and Maintenance:

- Before cleaning or maintenance, ensure grill and ashes are completely cool. Empty the ash from the grill and clean after each use.
- Wash the cooking grill and charcoal tray with hot, soapy water. Rinse and dry completely with a towel. Never allow the grate to drip dry or dry in a dishwasher. This will cause it to rust.
- After washing and drying, it is recommended to lightly coat the grate with vegetable oil or vegetable oil spray.
- Apply a light coat of vegetable oil or vegetable oil spray to interior surfaces to prevent rusting.
- When not in use this barbecue should be stored in a dry location.

Specs:

- Outer Shell: Iron with Powder Coating
- Cooking Grill: Iron with Chrome Plating
- Product Size: 12in x 9in x 8.25in

Origaudio

2025 Fourty Four Group, LLC, d/b/a Origaudio
HPG Brands
1770 S 5350 W STE 100 Salt Lake City, UT 84104 USA
(801) 727 - 1400
www.hpgbrands.com/origaudio